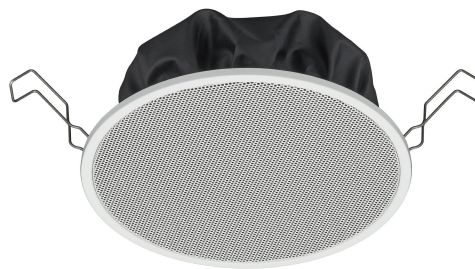


PC-1860

The PC-1860 is suitable for announcements and BGM system use in high sound quality. The speaker's design harmonizes with modern architecture and decor.




Order no: PC-1860
 Alternative products: VM-3360VA,
 VM-3240VA, VP-2421, VP-2421incl, VP-2241,
 VP-2241incl, VP-2122incl, VP-2122, VP-2064,
 VP-2064incl, VP-3504, VP-3154, VP-3304,
 SX-2000SM, VX-2000, VX-3008F, VX-3004F,
 VX-3016F

Specifications

Frequency response	80 Hz - 20 kHz
Connection	Push wire connection (Bridging terminal - 2 branch type)
Sensitivity (1#V, 1#m) (combined)	94 dB SPL ()
Speaker component	12 cm cone-type
Rated input	6 W
Tappings	6/3/1,5/0,8 W (100V)3/1,5/0,8/0,4 W (70V)
Weight	560,0 g
Certificates	Ease
Finish	traffic white (RAL 9016 or equivalent)
Operating temperature	-10 °C to +50 °C

Appearance



CEILING MOUNT SPEAKER 5INCH 6W PC-1860

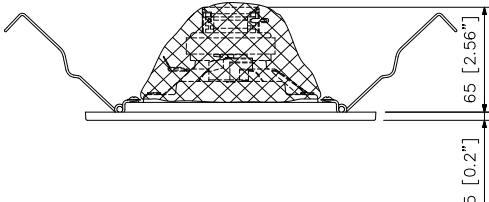
DESCRIPTION

The PC-1860 Ceiling Mount Speaker is of all metallic construction and ideal for use in a voice alarm system or BGM system. It feature spring clamp mechanism for easy mounting to the ceiling. The input impedance can be easily changed by changing the tap position of the transformer. The push-in type input terminal block makes cable connection easy and allow bridge wiring.

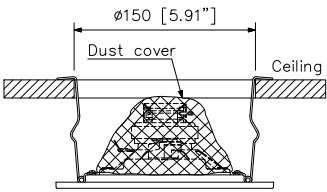
SPECIFICATIONS

Rated Input	6 W (100 V line), 3 W (70 V line)
Rated Impedance	100 V line: 1.7 kΩ (6 W), 3.3 kΩ (3 W), 6.7 kΩ (1.5 W), 13 kΩ (0.8 W) 70 V line: 1.7 kΩ (3 W), 3.3 kΩ (1.5 W), 6.7 kΩ (0.8 W), 13 kΩ (0.4 W)
Sensitivity	94 dB (1 W, 1 m) (500 Hz – 5 kHz, pink noise)
Frequency Response	80 Hz – 20 kHz (peak –20 dB)
Speaker Component	12 cm (5") cone-type
Operating Temperature	-10 °C to +50 °C (14 °F to 122 °F)
Dimensions for Fixing Hole	Mounting hole: $\phi 150 \pm 3$ mm (5.91" \pm 0.12") Ceiling thickness: 5 – 25 mm (0.2" – 0.98")
Speaker Mounting Method	Spring clamp
Applicable Cable	Solid wire: 0.5 – 3 mm ² (AWG 20 – 12)
Connection	Push wire connection (Bridging terminal–2 branch type)
Finish	Frame: Steel plate, white (RAL 9016 equivalent), paint Grille: Steel net, white (RAL 9016 equivalent), paint
Dimensions	$\phi 180 \times 70$ (D) mm (7.09" \times 2.76")
Weight	560 g (1.23 lb)
Accessory	Paper pattern -1

APPEARANCE

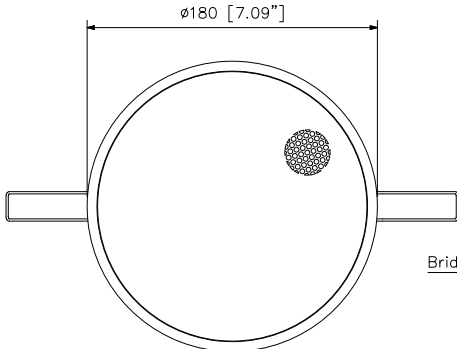


65 [2.56"]
5 [0.2"]

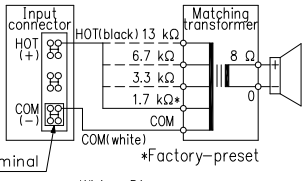


$\phi 150$ [5.91"]
Dust cover
Ceiling
5 [0.2"]

Mounting Diagram
(scale: 1/4)



$\phi 180$ [7.09"]



Input connector
HOT (+)
COM (-)
HOT(black) 13 kΩ
6.7 kΩ
3.3 kΩ
1.7 kΩ
COM
8 Ω
COM
Bridging terminal
*Factory-preset

Wiring Diagram

Note: Use transformer terminals when changing input impedance.

UNIT:mm SCALE:1/3